

ICT19 A

Spare parts

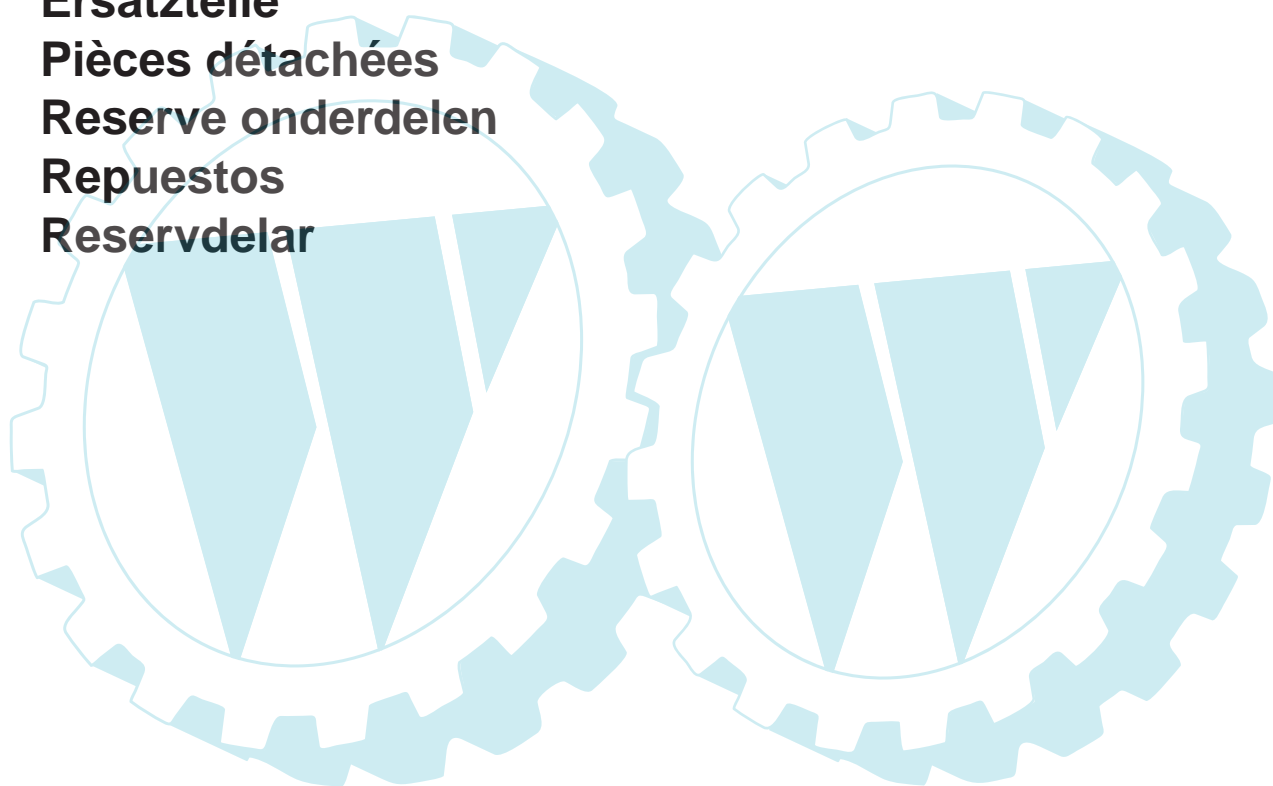
Ersatzteile

Pièces détachées

Reserve onderdelen

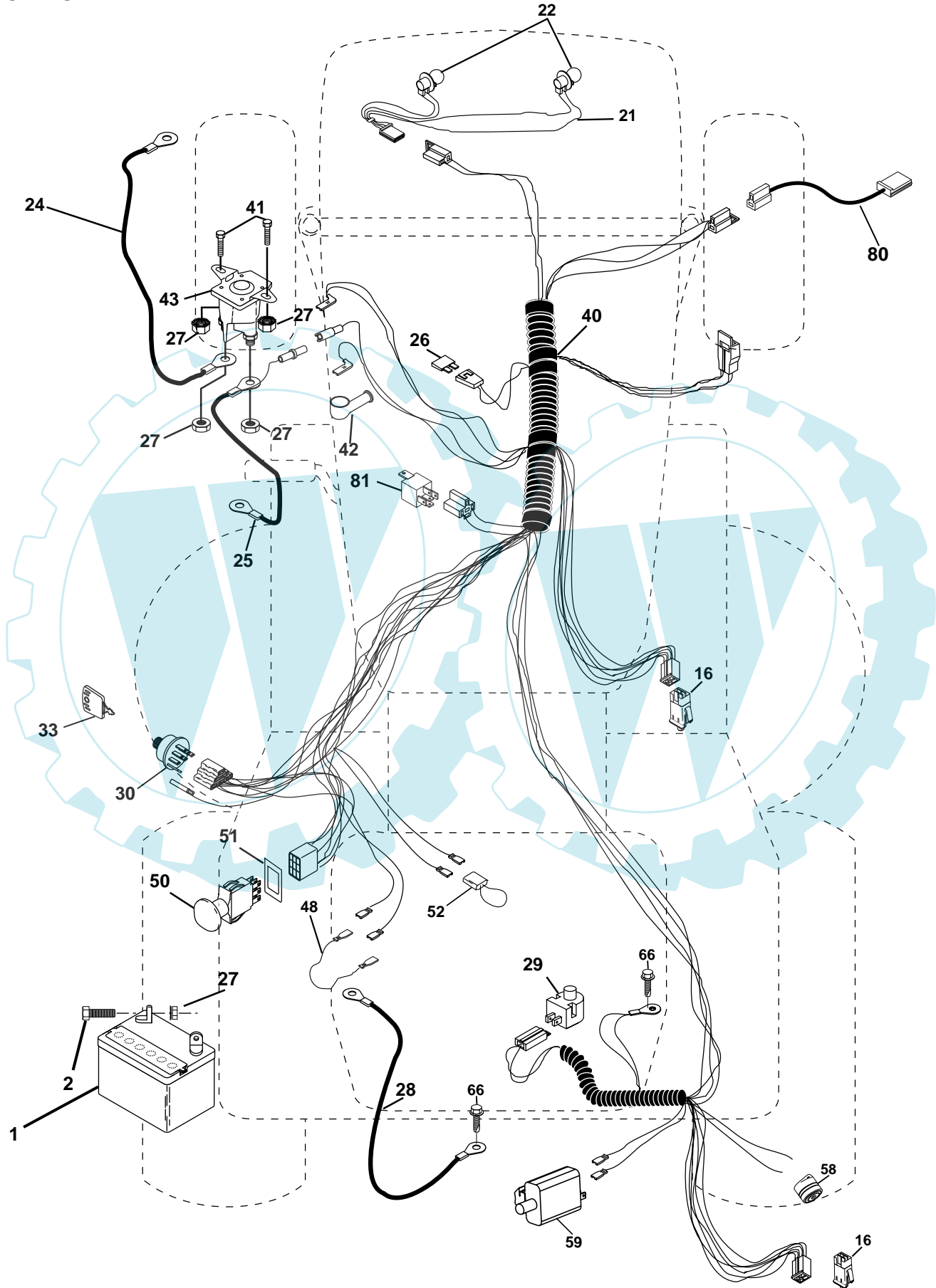
Repuestos

Reservdelar



REPAIR PARTS

TRACTOR- -MODEL NO. ICT19A (JICTH19A), PRODUCT NO. 954 13 00-68
ELECTRICAL



REPAIR PARTS

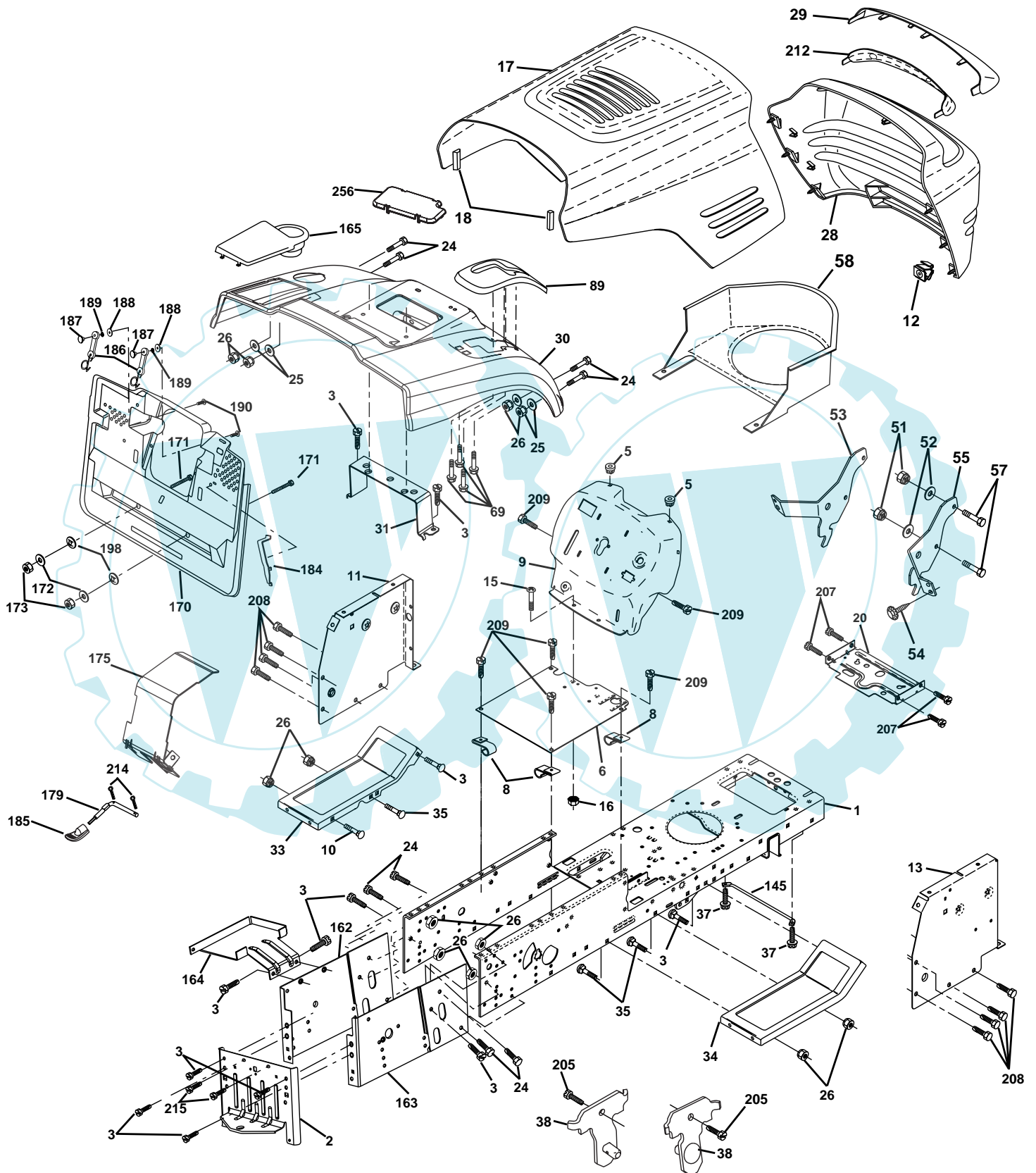
TRACTOR- -MODEL NO. ICT19A (JICTH19A), PRODUCT NO. 954 13 00-68
ELECTRICAL

KEY NO.	PART NO.	DESCRIPTION
1	532 14 49-27	Battery
2	874 76 04-12	Bolt Hex Hd 1/4-20 Unc X 3/4
16	532 17 61-38	Switch Interlock Push-In
21	532 17 56-88	Harness Asm Light W/4152J
22	532 00 41-52	Bulb Light #1156
24	532 12 47-80	Cable Starter 6Ga 11" Red
25	532 16 59-87	Cable Battery Crd 56" Red
26	532 17 51-58	Fuse 20 Amp
27	873 51 04-00	Nut Keps Hex 1/4-20 Unc
28	532 12 77-25	Cable Ground 6Ga 18" Black
29	532 16 07-84	Switch Plunger Normal Op Olive
30	532 17 55-66	Switch Ignition
33	532 14 04-01	Key Ign
40	532 17 97-27	Harness Ign Crd Elect
41	871 11 04-08	Bolt Flk Fin Hex 1/4-20 Unc X 1/2
42	532 13 15-63	Cover Terminal Red
43	532 17 88-61	Solenoid
48	532 14 08-44	Adapter Ammeter Rectangular
50	532 17 46-52	Switch PTO
51	532 14 04-05	Ring Retainer PTO
52	532 14 19-40	Protection Wire Loop
58	532 16 94-19	Buzzer Crd
59	532 18 03-79	Switch FBI CRD
66	817 49 06-08	Screw Thdrol 3/8-16 x 1/2 Ty-Tt
80	532 14 66-85	Harness Clutch EVX
81	532 10 97-48	Relay Asm

NOTE: All component dimensions given in U.S. inches.
1 inch = 25.4 mm.

REPAIR PARTS

TRACTOR- -MODEL NO. ICT19A (JICTH19A), PRODUCT NO. 954 13 00-68
CHASSIS AND ENCLOSURES



REPAIR PARTS

TRACTOR- -MODEL NO. ICT19A (JICTH19A), PRODUCT NO. 954 13 00-68
CHASSIS AND ENCLOSURES

KEY NO.	PART NO.	DESCRIPTION	KEY NO.	PART NO.	DESCRIPTION
1	532 17 46-20	Chassis	57	874 78 04-12	Bolt Fin Hex 1/4-20 Unc x .75
2	532 18 03-84	Drawbar	58	532 17 49-30	Duct Air Engine
3	817 06 06-12	Screw 3/8-16 x 3/4	69	532 14 24-32	Screw Hex Wsh
5	532 15 52-72	Bumper Hood/Dash	89	532 18 13-60	Console
6	532 15 59-23	Saddle	145	532 15 65-24	Rod Pivot Chassis/Hood
8	532 12 64-71	Clip Insulator 13/32 Mtg. Hole	162	532 18 03-82	Bracket Exten Chassis Lh CRD
9	532 17 20-99	Dash	163	532 18 03-83	Bracket Exten Chassis Rh CRD
10	872 14 06-08	Bolt, Carriage 3/8-16 x 3/4	164	532 16 56-05	Support Battery CRD
11	532 15 59-27	Panel, Dash, L.H.	165	532 18 13-56	Cover Battery
12	532 14 56-60	Clip Tinnerman	170	532 17 88-62	Backplate
13	532 17 21-08	Panel, Asm. Dash R.H.	171	872 14 06-20	Bolt Rdhd Sqnk 3/8-16 x 2-1/2 Gr. 5
15	874 18 05-12	Screw, Machine, Truss Head 5/16-18 UNC x 3/4	172	819 13 20-16	Washer 13/32 x 1-1/4 x 16 Ga.
16	873 51 05-00	Nut	173	873 51 06-00	Nut, Keps Hex 3/8-16 UNC
17	532 15 07-60	Hood	175	532 18 03-10	Guard Trap
18	532 12 69-38	Bumper Hood	179	532 18 03-76	Rod Pivot FBI CRD
20	532 18 06-79	Plate Mtg Battery/Tank Fuel Fr.	184	532 17 46-62	Bracket Actuator Bagger CRD
24	874 78 06-16	Bolt	185	532 18 11-01	Knob Rod Brake Parking
25	819 13 13-12	Washer 13/32 x 13/16 x 12 Gauge	186	532 16 07-93	Latch Asm Mulch/Bagger
26	873 80 06-00	Nut	187	532 12 50-04	Nut Weld
28	532 17 93-51	Grille /Lens Asm	188	819 06 12-16	Washer #10
29	532 17 90-14	Lens, Grille	189	810 07 10-00	Washer Lock #10
30	532 18 13-59	Fender	190	871 08 10-10	Screw Pan Hd Phillip 10-24 x 5/8
31	532 16 51-56	Bracket, Fender Support	198	532 16 89-37	Nut, Push
33	532 18 11-93	Footrest, L.H.	205	817 49 06-08	Screw Thdrol 3/8-16 x 1/2
34	532 18 11-94	Footrest, R.H.	207	817 67 05-08	Screw Thdrol 5/16-18 x 1/2
35	872 11 06-06	Bolt	208	817 67 06-08	Screw Thdrol 3/8-16 x 1/2
37	817 49 05-08	Screw Thdrol 5/16-18 x 1/2 TYT	209	817 00 06-12	Screw Hex Wsh Thdrol 3/8-16
38	532 17 57-10	Bracket Asm Pivot Mower Rear	212	532 16 59-19	Insert Lens Reflective
51	873 68 04-00	Nut Crownlock 1/4-20 Unc	214	532 12 47-88	Retainer Spring
52	819 09 14-16	Washer 9/32 x 7/8 x 16 Ga.	215	817 06 05-08	Screw 5/16-18 x 1/2
53	532 14 52-01	Bracket Pick Off LH	256	532 18 13-61	Cover Fender Rack CRD
54	532 16 14-64	Screw Hex 8-18 x 7/8			
55	532 14 52-02	Bracket Pick off RH			

NOTE: All component dimensions given in U.S. inches.
1 inch = 25.4 mm.

REPAIR PARTS

TRACTOR- -MODEL NO. ICT19A (JICTH19A), PRODUCT NO. 954 13 00-68
DRIVE



REPAIR PARTS

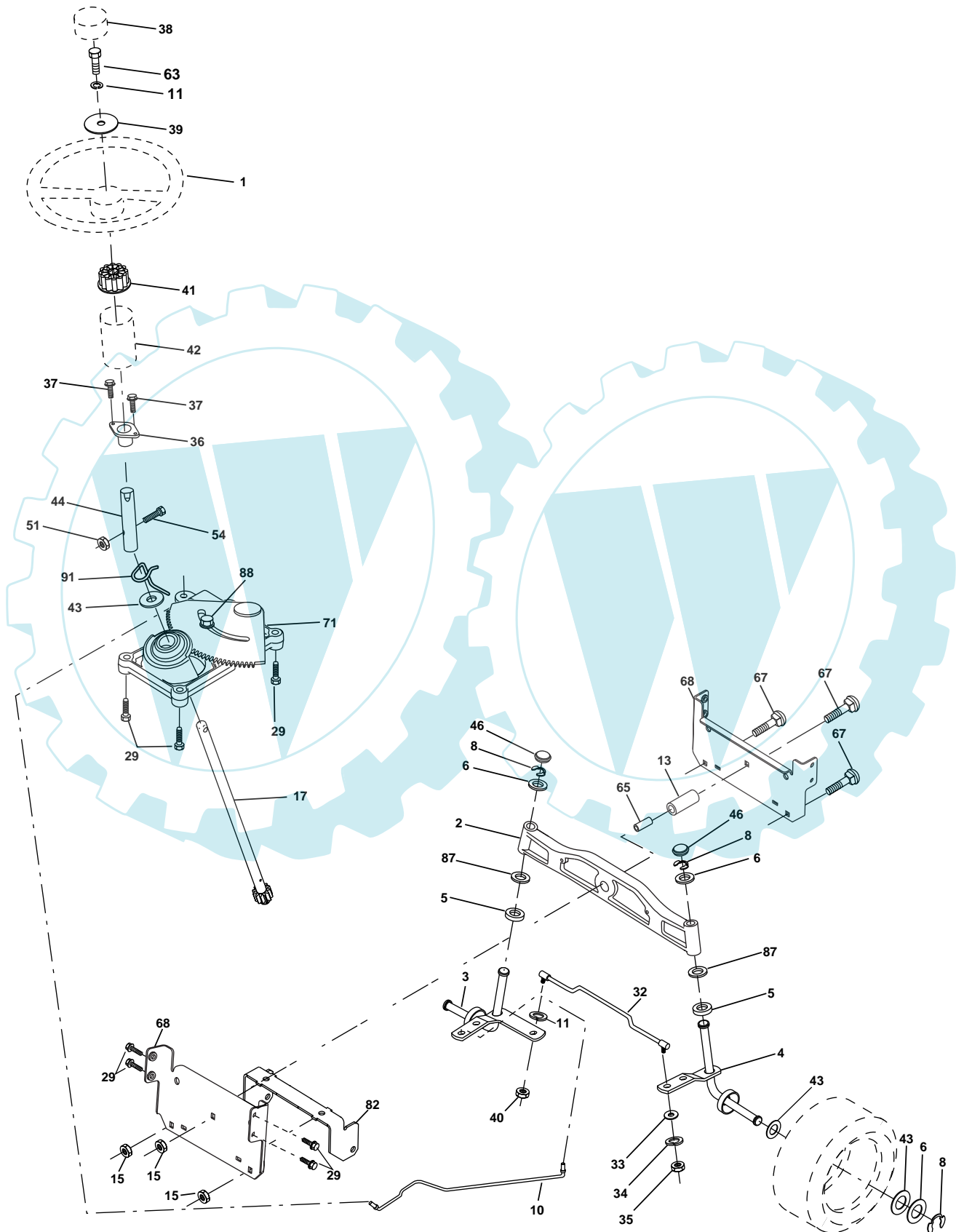
TRACTOR- -MODEL NO. ICT19A (JICTH19A), PRODUCT NO. 954 13 00-68 DRIVE

KEY NO.	PART NO.	DESCRIPTION	KEY NO.	PART NO.	DESCRIPTION
1	-----	Transaxle Hydro Gear 321-0510 (Order parts from transaxle manufacturer)	83	819 17 12-16	Washer 17/32 x 3/4 x 16 Ga.
8	532 16 56-19	Rod, Shift Fender Adjust Lt	84	532 17 00-07	Link, Transaxle
9	532 17 55-40	Clutch Ele EVX	95	532 17 00-15	Control Asm Bypass Hydro
10	876 02 04-16	Pin, Cotter 1/8 x 1	96	532 12 47-88	Spring, Retainer 1"
14	810 04 04-00	Washer, Lock Hvy Helical	120	873 90 06-00	Nut Lock Flg. 3/8-16 Unc
16	873 80 05-00	Nut, Lock Hex w/Ins 5/16-18 UNC	144	819 11 10-16	Washer 11/32 x 5/8 x 16 Ga.
20	871 17 07-80	Bolt, Hex 7/16-20 x 5	145	874 49 05-44	Bolt Hex FGHD 5/16-18 x Gr 5
21	532 13 05-64	Knob Deluxe	150	532 16 58-50	Bushing, Bellcrank Grnd Dr
22	532 17 56-07	Rod, Brake	151	819 13 32-10	Washer 13/32 x 2 x 10 Ga.
23	532 17 01-71	Bracket asm Anti-Rot	156	532 16 60-02	Washer Srrted 5/16ID x 1.125
24	873 35 06-00	Nut	158	532 16 55-89	Bracket Shift Mount
25	532 10 68-88	Spring, Rod, Brake	159	532 16 54-94	Hub Tapered Flange Shift Lt
26	819 13 13-16	Washer 13/32 x 13/16 x 16 Ga.	160	819 29 20-16	Washer 29/32 x 1-1/4 x 16 Ga.
27	876 02 04-12	Pin, Cotter 1/8 x 3/4	161	872 14 04-06	Bolt Rdhd Sqnk 1/4-20 x 3/4 Gr 5
28	532 17 57-65	Rod, Parking Brake	162	873 68 04-00	Nut Crownlock 1/4-20 Unc
29	532 07 16-73	Cap, Parking Brake	163	874 78 04-16	Bolt Hex Fin 1/4-20 Unc x 1 Gr 5
30	532 16 95-92	Bracket, Mfg. Transaxle	164	819 09 10-10	Washer 5/8 x .281 x 10 Ga.
33	872 14 05-06	Bolt Rdhd Sqnk 5/16-18 Unc x 3/4	165	532 16 56-23	Bracket Pivot Lever
34	532 17 55-78	Shaft, Asm Pedal Foot CRD	166	532 16 68-80	Screw 5/16-18 x 5/8
35	532 12 01-83	Bearing, Nylon	167	532 16 55-88	Bracket Support Shift CRD
36	819 21 16-16	Washer 21/32 x 1 x 16 Ga.	168	532 16 54-92	Bolt Shoulder 5/16-18 x .561
37	532 12 49-63	Pin, Roll 3/16 x 1"	169	532 16 55-80	Plate Fastening Lt
38	532 16 59-36	Pulley Flat Composite 3.06"	171	817 49 06-08	Screw Thdrol 3/8-16 x 1/2 Ty-Tt
39	874 76 06-44	Bolt Fin Hex 3/8-16 Unc x 2-3/4	172	532 17 02-71	Shaft Asm Shifter Frt CRD
40	532 12 49-65	Spacer, Split 395 x 59 Bzp	177	532 16 59-32	Keeper Flat Idler 3.06" CRD
42	819 13 13-12	Washer 13/32 x 13/16 x 12 Ga.	178	532 16 59-33	Keeper Belt Idler 1.88" CRD
47	532 12 77-83	Pulley, Idler, V Groove Plasic	179	532 12 09-58	Washer Sintered
48	532 15 44-07	Bellcrank Clutch Grnd Drv	180	532 16 56-30	Pulley, Idler, Flat 1.88" CRD
49	532 12 32-05	Retainer, Belt Style Spring	181	532 18 02-11	Bracket Idler Ground Drive CRD
50	874 76 06-24	Bolt Hex Hd 3/8-16 UNC x 1-1/2	182	532 16 56-34	Keeper Belt 2.5" Od V-Idler CRD
51	873 68 06-00	Nut, Crownlock 3/8-16 UNC	183	532 17 90-50	Pulley V-Idler 2.50" Od CRD
52	873 68 05-00	Nut Crownlock 5/16-18	184	817 49 06-44	Screw Hexwsh Thdrol 3/8-16 x 2-3/4
53	532 10 57-10	Link, Clutch 7.66	185	532 17 00-08	Link Shift
55	532 10 57-09	Spring, Return, Clutch	186	532 16 56-14	Hub Tapered Round CRD
56	817 06 06-20	Screw 3/8-16 x 1-1/4	187	817 58 05-20	Screw Thdrol 5/16-18 x 1.25
57	532 17 01-40	V-Belt Kev 112" 0650 CRD	197	532 16 96-13	Nyliner Snap-In 5/8
62	532 12 35-33	Cover, Pedal	199	532 16 96-12	Bolt Shoulder 5/16-18 Unc
63	532 14 58-68	Pulley, Clutch elect EVX 1"	200	872 14 05-08	Bolt RDHD SQNK 5/16-18 x 1
65	810 04 07-00	Washer	202	872 11 06-12	Bolt Carr. Sh. 3/8-16 x 1-1/2 Gr. 5
66	532 15 47-78	Keeper, Belt Engine F-Proof	206	819 13 14-16	Washer 13/32 x 7/8 x 16 Ga.
71	532 16 91-83	Strap, Torque, Lh	207	532 16 98-45	Washer Nylon Rear
73	532 16 91-82	Strap, Torque, Rh	214	532 17 56-09	Shaft Asm. Brake
74	532 13 70-57	Spacer, Split	215	532 17 56-52	Rod Brake Hydro
75	532 12 17-49	Washer 25/32 x 1-1/4 x 16 Ga.	250	817 06 06-12	Screw 3/8-16 x 3/4
76	812 00 00-01	Ring, E	253	532 17 50-28	Bracket Cable Chassis
77	532 12 35-83	Key, Square	254	817 06 06-16	Screw 3/8-16 x 1
78	532 12 17-48	Washer 25/32 x 1-5/8 x 16 Ga.	255	532 17 56-08	Brace Shaft Brake Mtg.
81	532 17 00-06	Asm, Shaft	258	532 17 80-62	Clip Retainer
82	532 16 57-11	Spring, Torsion	259	532 18 02-12	Bracket Pulley

NOTE: All component dimensions given in U.S. inches
1 inch = 25.4 mm

REPAIR PARTS

TRACTOR- -MODEL NO. ICT19A (JICTH19A), PRODUCT NO. 954 13 00-68
STEERING ASSEMBLY



REPAIR PARTS

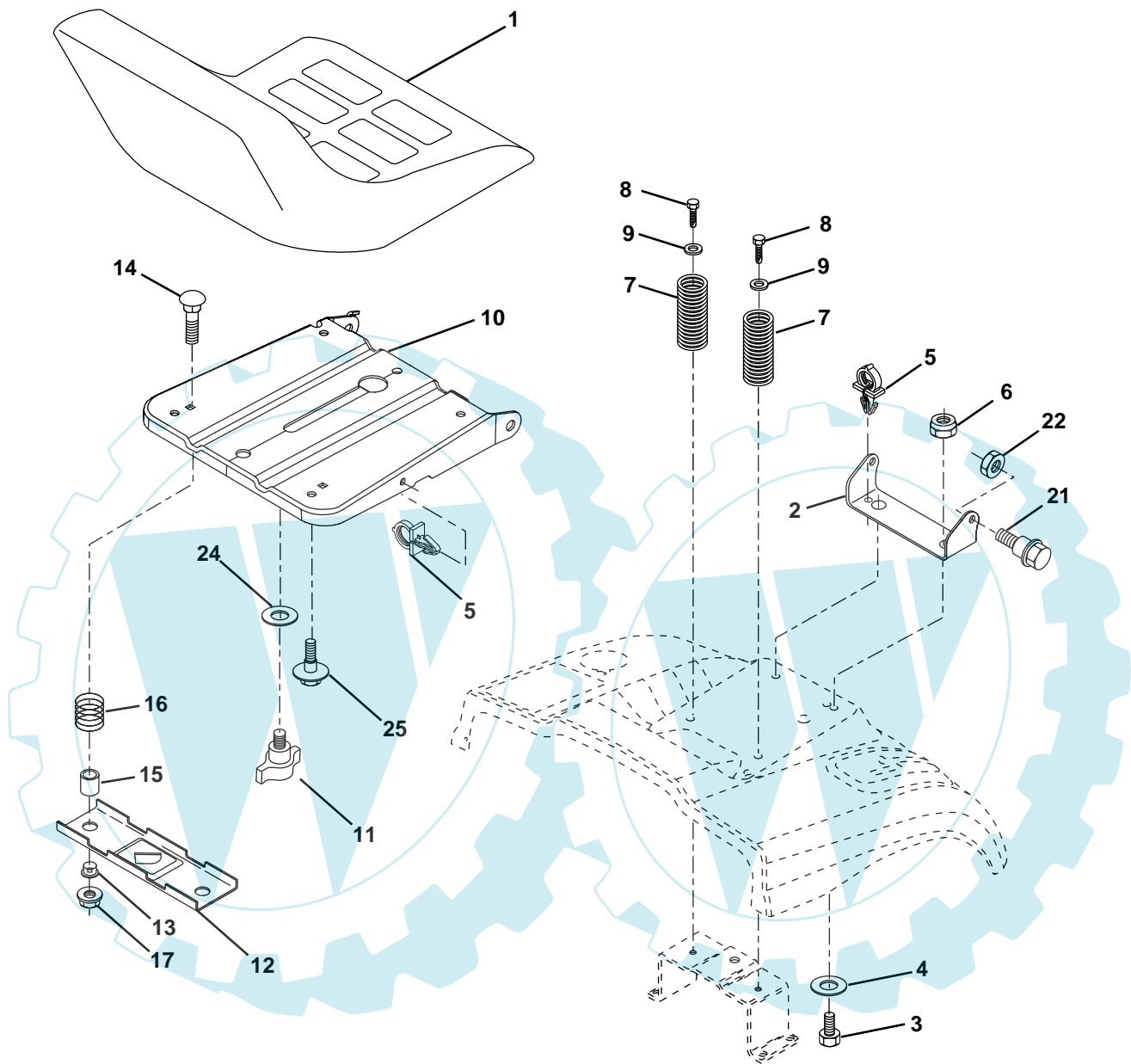
TRACTOR- -MODEL NO. ICT19A (JICTH19A), PRODUCT NO. 954 13 00-68
STEERING ASSEMBLY

KEY NO.	PART NO.	DESCRIPTION
1	532 17 20-92	Steering Wheel
2	532 17 23-93	Front Axle Assembly
3	532 16 98-40	Spindle Assembly, L.H.
4	532 16 98-39	Spindle Assembly, R.H.
5	532 12 49-31	Bearing, Race, Thrust, Hardened
6	532 12 17-48	Washer 25/32 x 1-5/8 x 16 Gauge
8	812 00 00-29	Ring, Klip
10	532 17 51-21	Link, Drag
11	810 04 06-00	Washer, Lock
13	532 13 65-18	Spacer Axle
15	532 14 52-12	Nut Hex Flange Lock
17	532 17 78-76	Shaft Assembly, Steering
29	817 06 06-12	Screw 3/8-16 x 3/4
32	532 17 01-62	Rod, Tie
33	819 11 12-16	Washer 11/32 x 3/4 x 16 Ga.
34	810 04 05-00	Washer Lock Hvy Hlcl Spr 5/16
35	873 54 05-00	Crownlock Nut 5/16-24 Unf
36	532 15 50-99	Bushing, Steering
37	532 15 29-27	Screw TT #10-32 x 5 x 3/8 Flange
38	532 17 20-93	Cap Wheel Steer
39	819 13 24-11	Washer 13/32 x 1-1/20 x 11 Gauge
40	532 12 47-01	Nut Lock Center 3/8-24 Unf
41	532 15 99-45	Adaptor, Steering Wheel
42	532 16 96-33	Boot, Steering Dash P/L Mtl
43	532 12 17-49	Washer 25/32 x 1-1/4 x 16 Gauge
44	532 15 37-20	Extension Steering
46	532 12 12-32	Cap, Spindle
51	873 80 05-00	Nut Lock Hx W/Ins 5/16-18 UNC
54	874 78 05-20	Bolt Fin Hex 5/16-18 UNC x 1-1/4
63	874 78 06-16	Bolt Fin Hex 3/8-16 unc. x 1 Gr. 5
65	532 16 03-67	Spacer Axle
67	872 14 06-18	Bolt Rdhd Sq 3/8-16 x 2-1/4
68	532 16 98-27	Brace Axle
71	532 17 51-46	Steering Asm.
82	532 16 98-35	Bracket Susp. Chassis Front
87	532 17 39-66	Washer Flat .781 x 1-1/2 x .14
88	532 17 51-18	Bolt Shoulder 7/16-20 Unc
91	532 17 55-53	Clip Steering

NOTE: All component dimensions given in U.S. inches.
1 inch = 25.4 mm.

REPAIR PARTS

TRACTOR- -MODEL NO. ICT19A (JICTH19A), PRODUCT NO. 954 13 00-68
SEAT ASSEMBLY



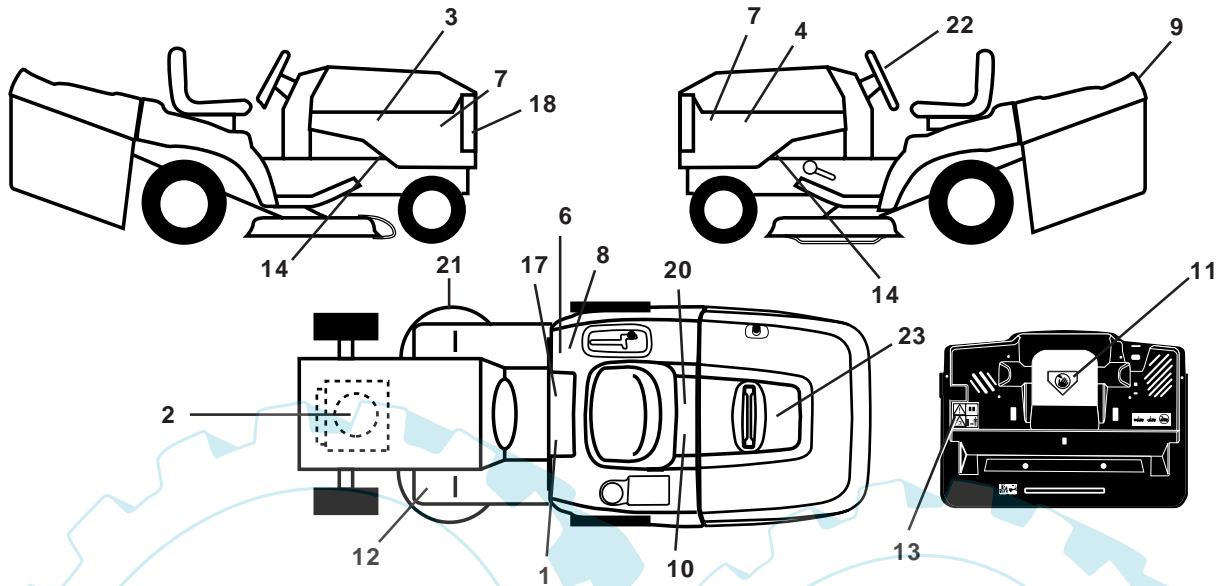
KEY NO.	PART NO.	DESCRIPTION
1	532 14 01-18	Seat
2	532 14 05-51	Bracket Pnt Pivot Seat (blk)
3	871 11 06-16	Bolt Fin Hex 3/8-16 x 1
4	819 13 16-10	Washer flat 13/32 x 1 x 10 Ga.
5	532 14 50-06	Clip Push In Hinged
6	873 80 06-00	Nut Lock Hex 3/8-16 Unc
7	532 12 41-81	Spring Seat Cprsn 2 250 Blk Zi
8	817 00 06-16	Screw 3/8-16 X 1-1/2
9	819 13 16-14	Washer 13/32 X 1 X 14 Ga
10	532 17 48-94	Pan Pnt Seat (blk)
11	532 16 63-69	Knob Seat Adj. Wingnut
12	532 12 12-46	Bracket Pnt Mounting Switch

KEY NO.	PART NO.	DESCRIPTION
13	532 12 12-48	Bushing Snap Blk Nyl 50 Id
14	872 05 04-12	Bolt Rdhd Sht Nk 1/4-20x1-1/2
15	532 12 12-49	Spacer Split 28 X 88 Zinc
16	532 12 37-40	Spring Cprsn
17	532 12 39-76	Nut Lock 1/4 Lge Flg Gr 5 Zinc
21	532 17 18-52	Bolt Shoulder 5/16-18 Unc-2A
22	873 80 05-00	Nut Hex Lock w/Ins 5/16-18
24	819 17 19-12	Washer 17/32 X 1-3/16 X 12 Ga.
25	532 12 70-18	Bolt Shoulder 5/16-18 X 62

NOTE: All component dimensions given in U.S. inches.
1 inch = 25.4 mm

REPAIR PARTS

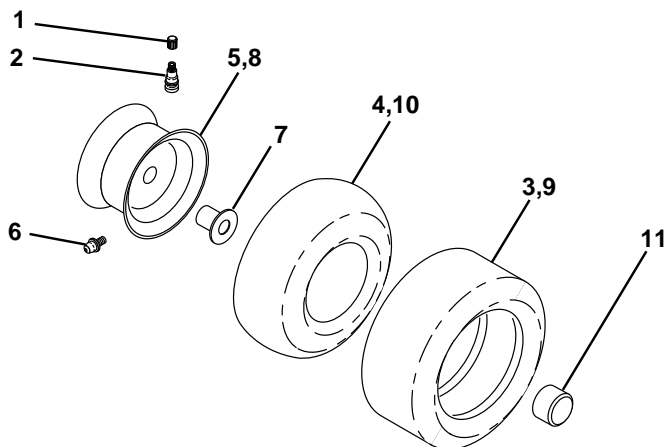
TRACTOR- -MODEL NO. ICT19A (JICTH19A), PRODUCT NO. 954 13 00-68
DECALS



KEY NO.	PART NO.	DESCRIPTION
1	532 14 54-98	Decal Read Owner's Manual Sym
2	532 18 07-09	Decal Hp Engine
3	532 17 96-25	Decal Hood Rh
4	532 17 96-26	Decal Hood Lh
6	532 12 61-87	Decal 100 DBA
7	532 16 29-27	Decal Hood Insert
8	532 14 54-37	Decal Europe Stand Ce
9	532 14 17-61	Decal Fender Logo
10	532 14 50-05	Decal Bat Dan/Poi P/L Sym Wpn
11	532 14 54-94	Decal Mower Cut Finger Symbol
12	532 15 97-37	Decal Brake/Clutch Symbol Lt
13	532 18 04-35	Decal Rear Plate CRD

KEY NO.	PART NO.	DESCRIPTION
14	532 15 97-36	Decal Chassis Hot Muffler
17	532 14 08-37	Decal Saddle Brake Parking
18	532 15 22-62	Decal Grille
20	532 16 69-60	Decal Bypass Fender CRD
21	532 16 62-86	Decal Hex Belt Sch CRD
22	532 17 05-65	Decal Ins Strg Whl
23	532 17 06-54	Decal Bagger Top CRD
—	532 13 83-11	Decal Lift Handle
—	532 18 10-91	Pad Footrest LH
—	532 18 10-90	Pad Footrest RH
—	532 18 00-27	Manual Operator's (Euro)
—	532 18 00-28	Manual Operator's (Scan)

WHEELS & TIRES

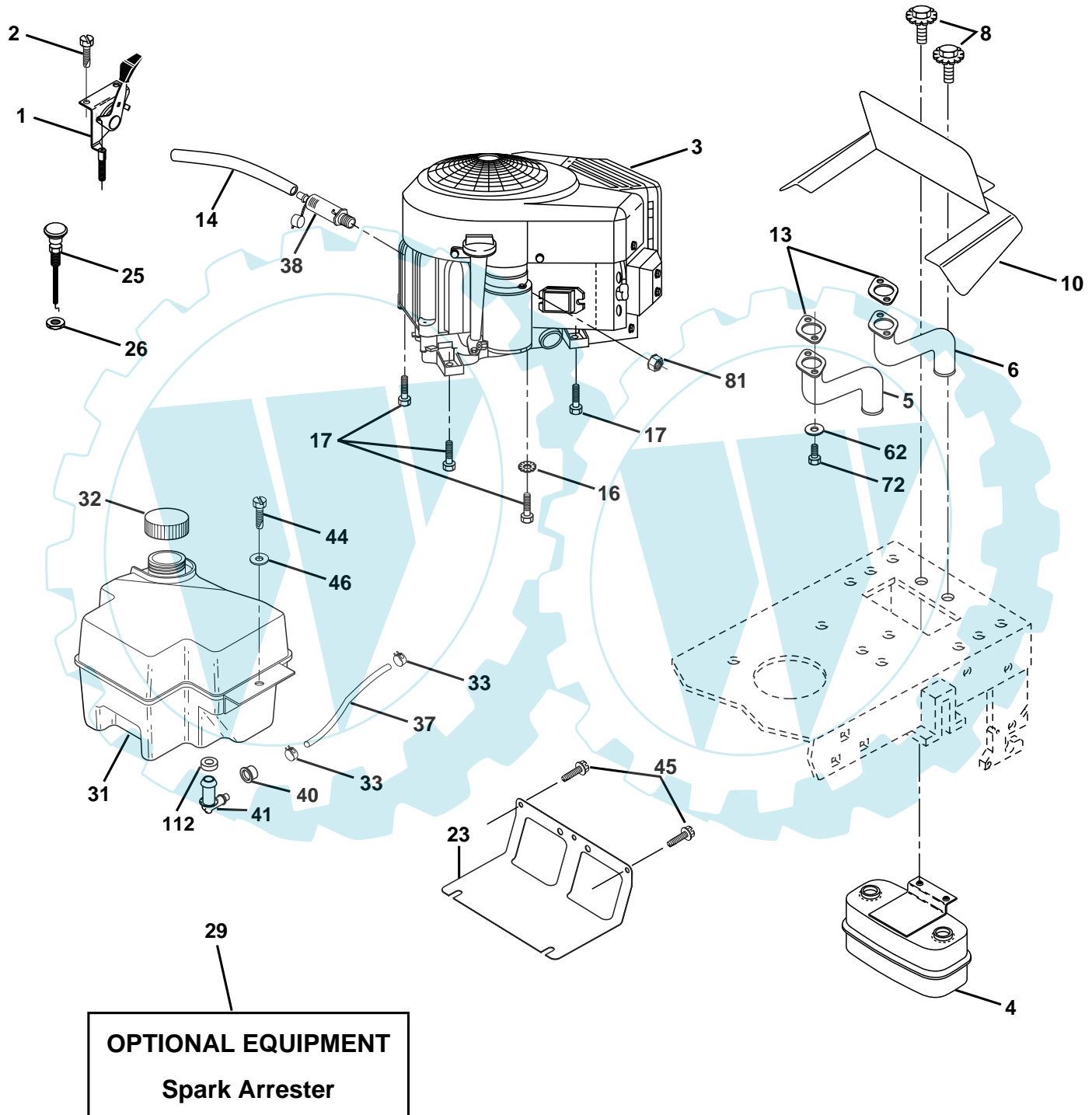


KEY NO.	PART NO.	DESCRIPTION
1	532 05 91-92	Cap Value Tire
2	532 06 51-39	Stem Value
3	532 10 62-22	Tire F Ts 15 X 6 0 - 6 Service
4	532 05 99-04	Tube Inner Front #35060
5	532 13 83-36	Rim Asm 6" front Silver Service
6	532 12 49-57	Fitting Grease
7	532 12 49-59	Bearing Flange
8	532 13 83-37	Rim Asm 8" rear Silver Service
9	532 13 84-68	Tire R Ts 20 x 8-8 Service
10	532 12 49-26	Tube Rear 9 5 X 8 Service
11	532 17 50-39	Cap Axle Blk 1 50 X 1 00
--	532 14 43-34	Sealant, Tire (10 oz. tube)

NOTE: All component dimensions given in U.S. inches
1 inch = 25.4 mm

REPAIR PARTS

TRACTOR- -MODEL NO. ICT19A (JICTH19A), PRODUCT NO. 954 13 00-68
ENGINE



REPAIR PARTS

TRACTOR- -MODEL NO. ICT19A (JICTH19A), PRODUCT NO. 954 13 00-68
ENGINE

Correction:

Key No

10 **532 16 27-97**

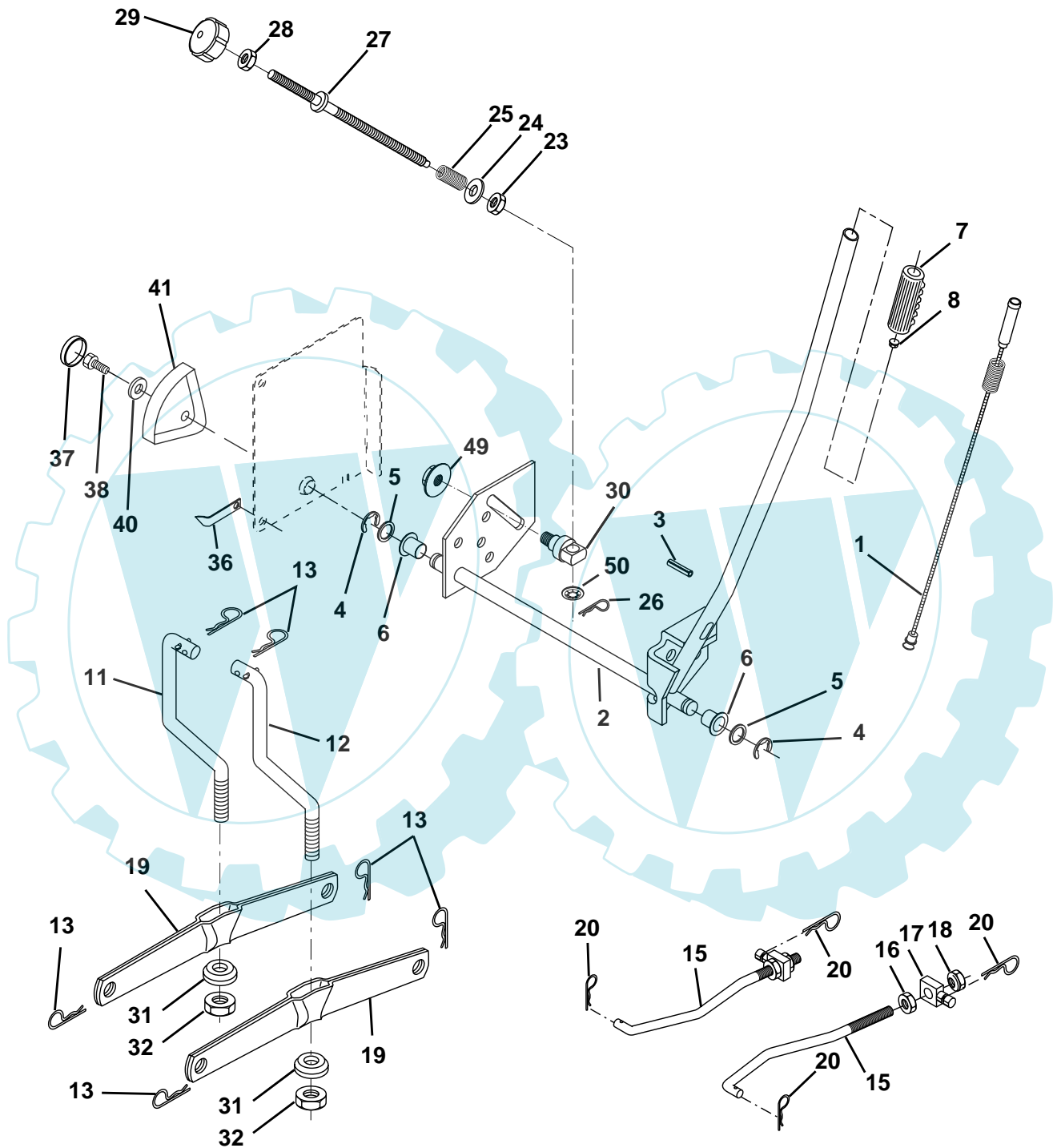
KEY NO.	PART NO.	DESCRIPTION
---------	----------	-------------

1	532 17 07-71	Control Throt
2	817 72 04-08	Screw Hex Thd Cut 1/4-20x5/8 T
3	-----	Engine Briggs & Stratton Model No. 446777 (Order parts from engine manufacturer)
4	532 14 97-23	Muffler Twin Lo-Twin
5	532 15 99-55	Tube, Manifold Lh
6	532 16 05-89	Tube, Manifold Rh
8	532 17 18-77	Bolt 5/16-18 Unc x 3/4 w/Sems
10	532 14 55-52	Shield Browning Intek
13	532 16 53-91	Gasket Muffler
14	532 14 84-56	Tube Drain Oil Easy
16	811 05 06-00	Washer Lock Ext Tooth 3/8
17	817 06 06-24	Screw, Thdrol 3/8-16 x 1-1/2 Tytt
23	532 16 98-37	Shield Brn/Dbr Guard
25	532 14 59-96	Choke Control 37"
26	873 92 06-00	Nut, Keps 3/8-24 Unf
29	532 13 71-80	Kit Spark Arrestor (Flat Scrn)
31	532 18 06-45	Tank Fuel 2.00
32	532 14 05-27	Cap Asm Fuel W/sym Vented
33	532 12 34-87	Clamp Hose Blk
37	532 13 70-40	Line Fuel
38	532 14 83-15	Plug Drain Oil Easy
40	532 12 40-28	Bushing Snap
41	532 13 92-77	Stem Tank Fuel
44	817 67 04-12	Screw Hexwsh Thdrol 1/4-20 x 3/4
45	817 00 06-12	Screw Hexwsh Thdrol 3/8-16 x 3/4
46	819 09 14-16	Washer 9/32 x 7/8 x 16 Ga.
62	810 04 05-00	Washer, Lock Hvy. Hlcl Spr 5/16
72	871 07 05-12	Screw Hex Hd Cap 5/16-18 x 3/4
81	873 51 04-00	Nut Keps Hex 1/4-20 Unc
112	532 12 49-52	Bushing

NOTE: All component dimensions given in U.S. inches
1 inch = 25.4 mm

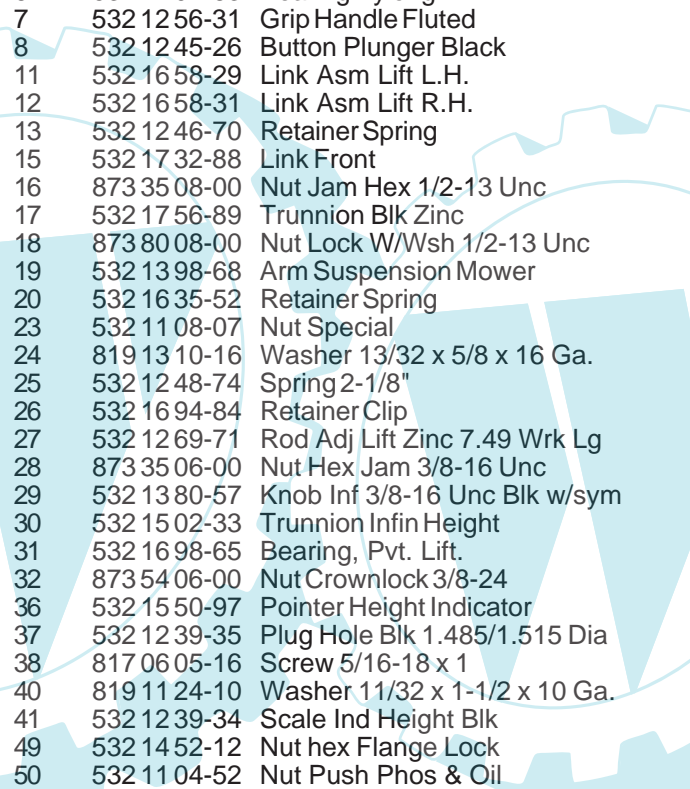
REPAIR PARTS

TRACTOR- -MODEL NO. ICT19A (JICTH19A), PRODUCT NO. 954 13 00-68
MOWER LIFT



REPAIR PARTS

TRACTOR- -MODEL NO. ICT19A (JICTH19A), PRODUCT NO. 954 13 00-68
MOWER LIFT

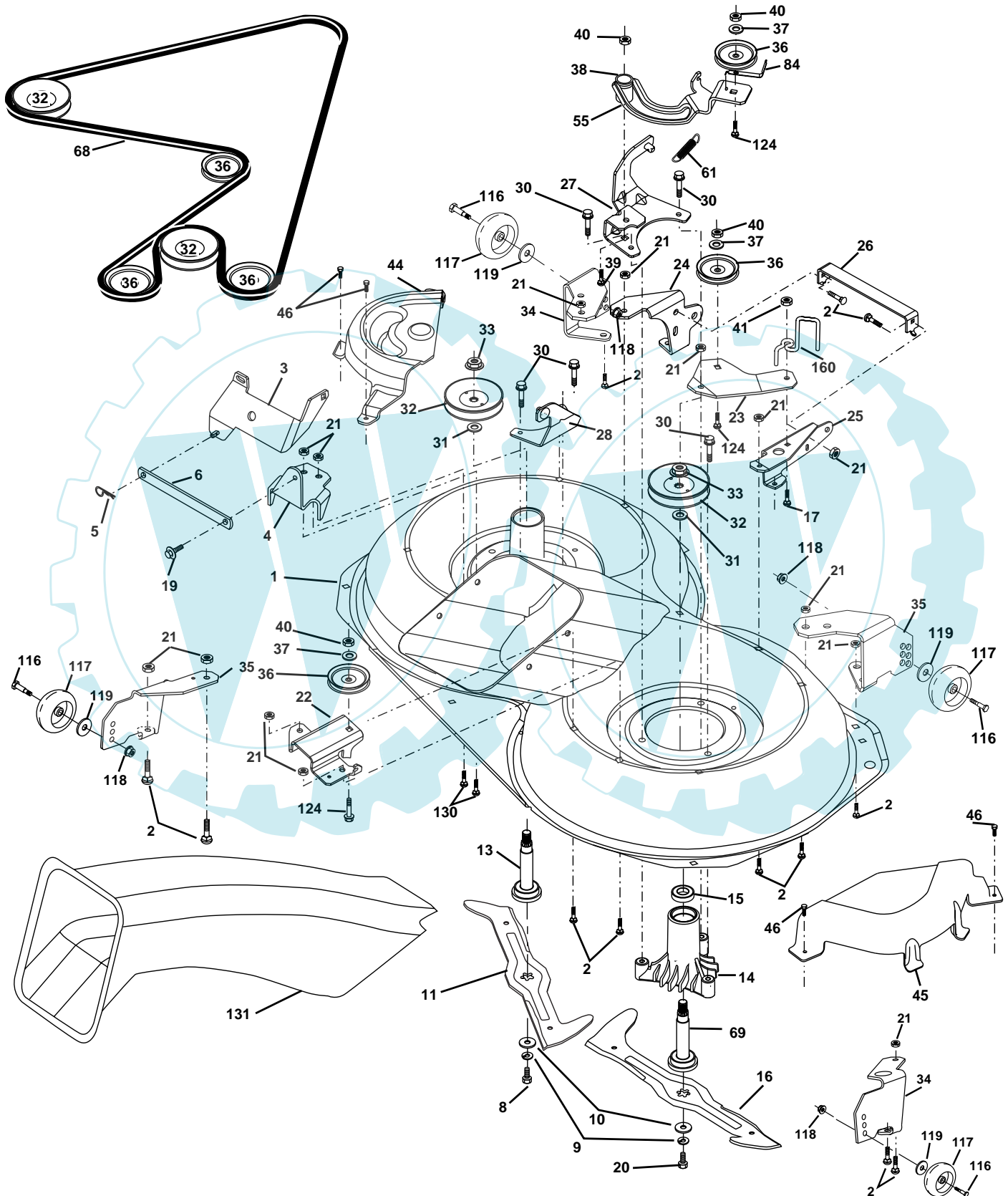


KEY NO.	PART NO.	DESCRIPTION
1	532 1594-60	Washer Asm Inner Spring W/Plunger
2	532 1594-71	Shaft Asm. Lift
3	532 1057-67	Pin Groove
4	812 00 00-02	E Ring #5133-62
5	819 21 16-21	Washer 21/32 x 1 x 21 Ga.
6	532 1201-83	Bearing Nylong
7	532 1256-31	Grip Handle Fluted
8	532 1245-26	Button Plunger Black
11	532 1658-29	Link Asm Lift L.H.
12	532 1658-31	Link Asm Lift R.H.
13	532 1246-70	Retainer Spring
15	532 1732-88	Link Front
16	873 3508-00	Nut Jam Hex 1/2-13 Unc
17	532 1756-89	Trunnion Blk Zinc
18	873 8008-00	Nut Lock W/Wsh 1/2-13 Unc
19	532 1398-68	Arm Suspension Mower
20	532 1635-52	Retainer Spring
23	532 1108-07	Nut Special
24	819 13 10-16	Washer 13/32 x 5/8 x 16 Ga.
25	532 1248-74	Spring 2-1/8"
26	532 1694-84	Retainer Clip
27	532 1269-71	Rod Adj Lift Zinc 7.49 Wrk Lg
28	873 3506-00	Nut Hex Jam 3/8-16 Unc
29	532 1380-57	Knob Inf 3/8-16 Unc Blk w/sym
30	532 1502-33	Trunnion Infin Height
31	532 1698-65	Bearing, Pvt. Lift.
32	873 5406-00	Nut Crownlock 3/8-24
36	532 1550-97	Pointer Height Indicator
37	532 1239-35	Plug Hole Blk 1.485/1.515 Dia
38	817 06 05-16	Screw 5/16-18 x 1
40	819 11 24-10	Washer 11/32 x 1-1/2 x 10 Ga.
41	532 1239-34	Scale Ind Height Blk
49	532 1452-12	Nut hex Flange Lock
50	532 1104-52	Nut Push Phos & Oil

NOTE: All component dimensions given in U.S. inches
1 inch = 25.4 mm

REPAIR PARTS

TRACTOR- -MODEL NO. ICT19A (JICTH19A), PRODUCT NO. 954 13 00-68
MOWER



REPAIR PARTS

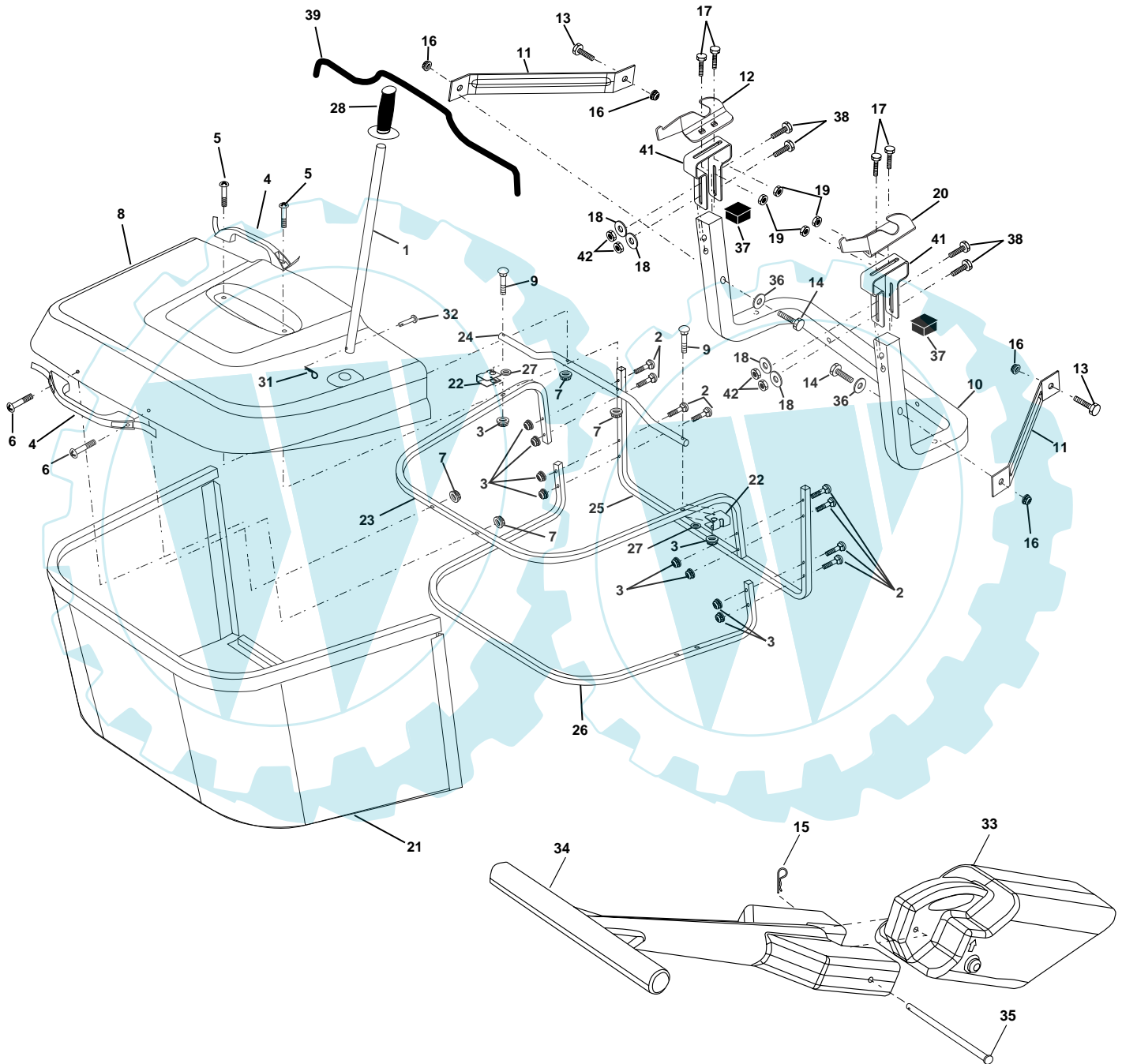
TRACTOR- -MODEL NO. ICT19A (JICTH19A), PRODUCT NO. 954 13 00-68
MOWER

KEY NO.	PART NO.	DESCRIPTION	KEY NO.	PART NO.	DESCRIPTION
1	532 16 91-60	Housing Asm. Mower 107 CRD	34	532 17 95-09	Bracket Gauge Wheel Lf 107 CRD
2	872 14 05-06	Bolt Rdhd Sqnk 5/16-18 Unc x 3/4	35	532 17 62-92	Bracket Gauge Wheel Rf 107 CRD
3	532 16 55-69	Bracket Asm. S-Bar Chass 92 CRD	36	532 14 67-63	Pulley Idler V-Groove Dim 4.25
4	532 16 91-67	Bracket Bar Sway Deck 107 CRD	37	819 13 13-16	Washer 11/32 x 13/16 x 16 Ga
5	532 12 46-70	Retainer Spring	38	532 16 98-51	Spacer Hub Arm Idler 107 CRD
6	532 16 55-57	Bar Sway CRD	39	872 11 06-22	Bolt Rdhd 3/8-16 Unc x 2-3/4 Gr. 5
8	532 85 08-57	Bolt 3/8-24 x 1.25 Gr8 Patched	40	873 68 06-00	Nut Crownlock 3/8-16 Unc
9	810 03 06-00	Washer Lock Hvy 3/8 Unplated	41	873 90 06-00	Nut Lock FLG 3/8-16 UNC
10	532 14 02-96	Washer Hard Blade Mower vented	44	532 17 55-38	Cover Mandrel Lh 107 CRD
11	532 17 54-50	Blade 3-1 Lh 107 CRD	45	532 17 55-39	Cover Mandrel Rh 107 CRD
13	532 13 76-45	Shaft Asm. W/Lower Bearing	46	532 13 77-29	Screw Thd Roll 1/4-20 x 5/8
14	532 12 87-74	Housing Mandrel Vented (Machd)	55	532 16 98-49	Arm Idler 107 CRD
15	532 11 04-85	Bearing Ball Mandrel	61	532 17 51-59	Spring Tension Belt
16	532 17 54-51	Blade 3-1 Rh 107 CRD	68	532 16 91-78	Hex-Belt 107 Mower
17	872 14 06-10	Bolt Carr 3/8-16 x1-1/4	69	532 16 54-82	Shaft Asm W/Lwr Brg Rh Thd CRD
19	532 13 28-27	Bolt Shoulder 5/16-18 Thd Form	84	532 15 60-85	Keeper Belt Idler
20	532 16 54-84	Bolt 3/8-24 x 1.25 Gr8 Ptch Lhthd	116	532 13 76-44	Bolt Shoulder
21	873 68 05-00	Nut Crown Lock 5/16-18	117	532 13 39-57	Wheel Gage Donut Wide
22	532 16 91-65	Bracket Idler Sprt RR 107 CRD	118	873 93 06-00	Nut Centerlock 3/8-16 Unc
23	532 16 91-66	Bracket Idler Sprt RF 107 CRD	119	819 12 14-14	Washer 3/8 x 7/8 x 14 Ga.
24	532 16 91-70	Bracket Suspension LF 107 CRD	124	872 11 06-12	Bolt Carr Sh 3/8-16 x 1-1/2 Gr5
25	532 16 91-71	Bracket Suspension RF 107 CRD	130	872 11 05-06	Bolt Rdhdsqnk 5/16-18 Unc x 3/4
26	532 16 52-37	Brace Support Susp Frt CRD	131	532 16 56-61	Chute Bagger CRD 92cm
27	532 16 91-72	Bracket Asm. Susp RR 107 CRD	160	532 17 51-60	Guide Belt CRD
28	532 16 91-68	Bracket Asm. Susp LR 107 CRD	-	532 13 07-94	Mandrel Asm Service
30	532 17 39-84	Screw Thd Rolling Hex	-	532 16 55-79	Mandrel Asm CRD Lh Threads SVC
31	532 12 99-63	Washer Spacer Mower Vented	-	532 18 03-87	Replacement Mower Complete
32	532 17 57-07	Mandrel Pulleys			
33	532 17 83-42	Nut Flg Top Lock			

NOTE: All component dimensions given in U.S. inches
1 inch = 25.4 mm

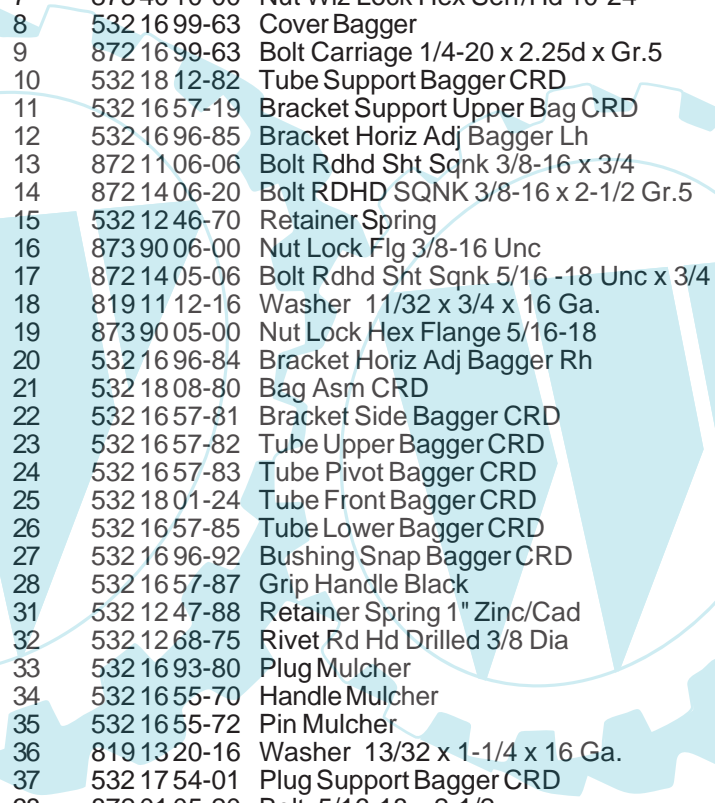
REPAIR PARTS

TRACTOR- -MODEL NO. ICT19A (JICTH19A), PRODUCT NO. 954 13 00-68
BAGGER



REPAIR PARTS

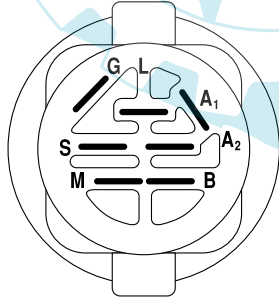
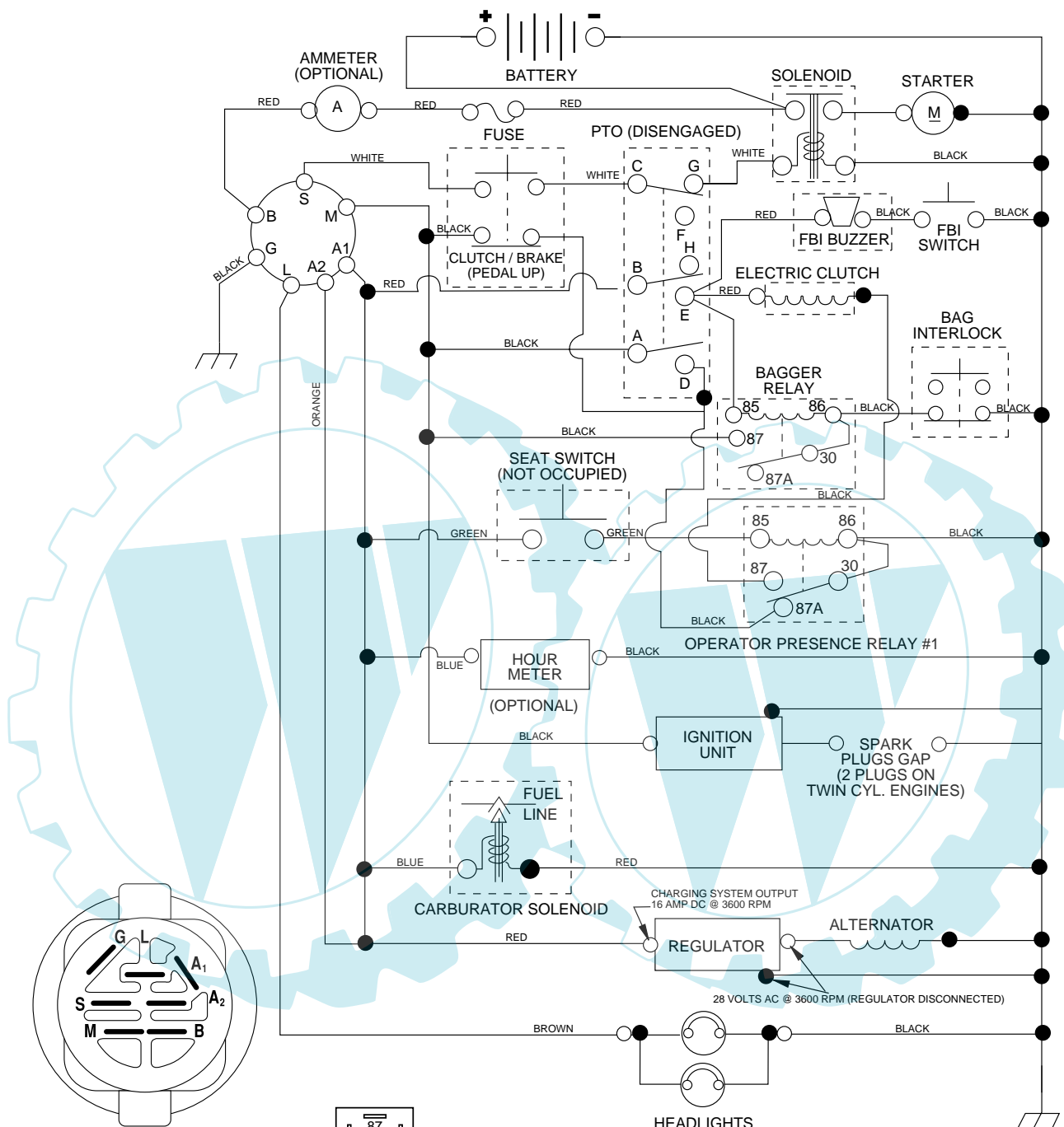
TRACTOR- -MODEL NO. ICT19A (JICTH19A), PRODUCT NO. 954 13 00-68
BAGGER



KEY NO.	PART NO.	DESCRIPTION
1	532 1652-49	Tube Handle Bagger CRD
2	872 1404-16	Bolt Carriage 1/4-20 x 2.0 Gr.5
3	532 1239-76	Nut Lock 1/4 Lge Flg Gr. 5 Zinc
4	532 1699-16	Handle Bagger w/Lvrs Blk CRD
5	874 98 10-24	Screw Pan Head #10-24 x 1.50 Blk
6	874 98 10-32	Screw Pan Hd
7	873 40 10-00	Nut Wiz Lock Hex Serr/Hd 10-24
8	532 1699-63	Cover Bagger
9	872 1699-63	Bolt Carriage 1/4-20 x 2.25d x Gr.5
10	532 18 12-82	Tube Support Bagger CRD
11	532 1657-19	Bracket Support Upper Bag CRD
12	532 1696-85	Bracket Horiz Adj Bagger Lh
13	872 11 06-06	Bolt Rdhd Sht Sqnk 3/8-16 x 3/4
14	872 1406-20	Bolt RDHD SQNK 3/8-16 x 2-1/2 Gr.5
15	532 1246-70	Retainer Spring
16	873 9006-00	Nut Lock Flg 3/8-16 Unc
17	872 1405-06	Bolt Rdhd Sht Sqnk 5/16 -18 Unc x 3/4
18	819 11 12-16	Washer 11/32 x 3/4 x 16 Ga.
19	873 9005-00	Nut Lock Hex Flange 5/16-18
20	532 1696-84	Bracket Horiz Adj Bagger Rh
21	532 1808-80	Bag Asm CRD
22	532 1657-81	Bracket Side Bagger CRD
23	532 1657-82	Tube Upper Bagger CRD
24	532 1657-83	Tube Pivot Bagger CRD
25	532 1801-24	Tube Front Bagger CRD
26	532 1657-85	Tube Lower Bagger CRD
27	532 1696-92	Bushing Snap Bagger CRD
28	532 1657-87	Grip Handle Black
31	532 1247-88	Retainer Spring 1" Zinc/Cad
32	532 1268-75	Rivet Rd Hd Drilled 3/8 Dia
33	532 1693-80	Plug Mulcher
34	532 1655-70	Handle Mulcher
35	532 1655-72	Pin Mulcher
36	819 1320-16	Washer 13/32 x 1-1/4 x 16 Ga.
37	532 1754-01	Plug Support Bagger CRD
38	872 01 05-20	Bolt 5/16-18 x 2-1/2
39	532 1809-85	Seal Trim
41	532 1696-83	Bracket Pnt Adj Pvt Bagger CRD
42	873 8005-00	Nut Crownlock 5/16-18 Blk D

NOTE: All component dimensions given in U.S. inches
1 inch = 25.4 mm

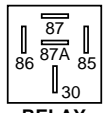
TRACTOR- -MODEL NO. ICT19A (JICTH19A), PRODUCT NO. 954 13 00-68
SCHEMATIC



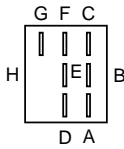
IGNITION SWITCH

POSITION	CIRCUIT	"MAKE"
OFF	M+G+A1	NONE
RUN/LIGHT	B+A1	A2+L
RUN	B+A1	NONE
START	B + S + A1	NONE

WIRING INSULATED CLIPS
NOTE: IF WIRING INSULATED CLIPS WERE REMOVED FOR SERVICING OF UNIT, THEY SHOULD BE REPLACED TO PROPERLY SECURE YOUR WIRING.



RELAY



PTO SWITCH

POSITION	CIRCUIT
OFF	C + G, B + H
ON	C + F, B + E, A + D

● NON-REMOVABLE CONNECTIONS

○ REMOVABLE CONNECTIONS